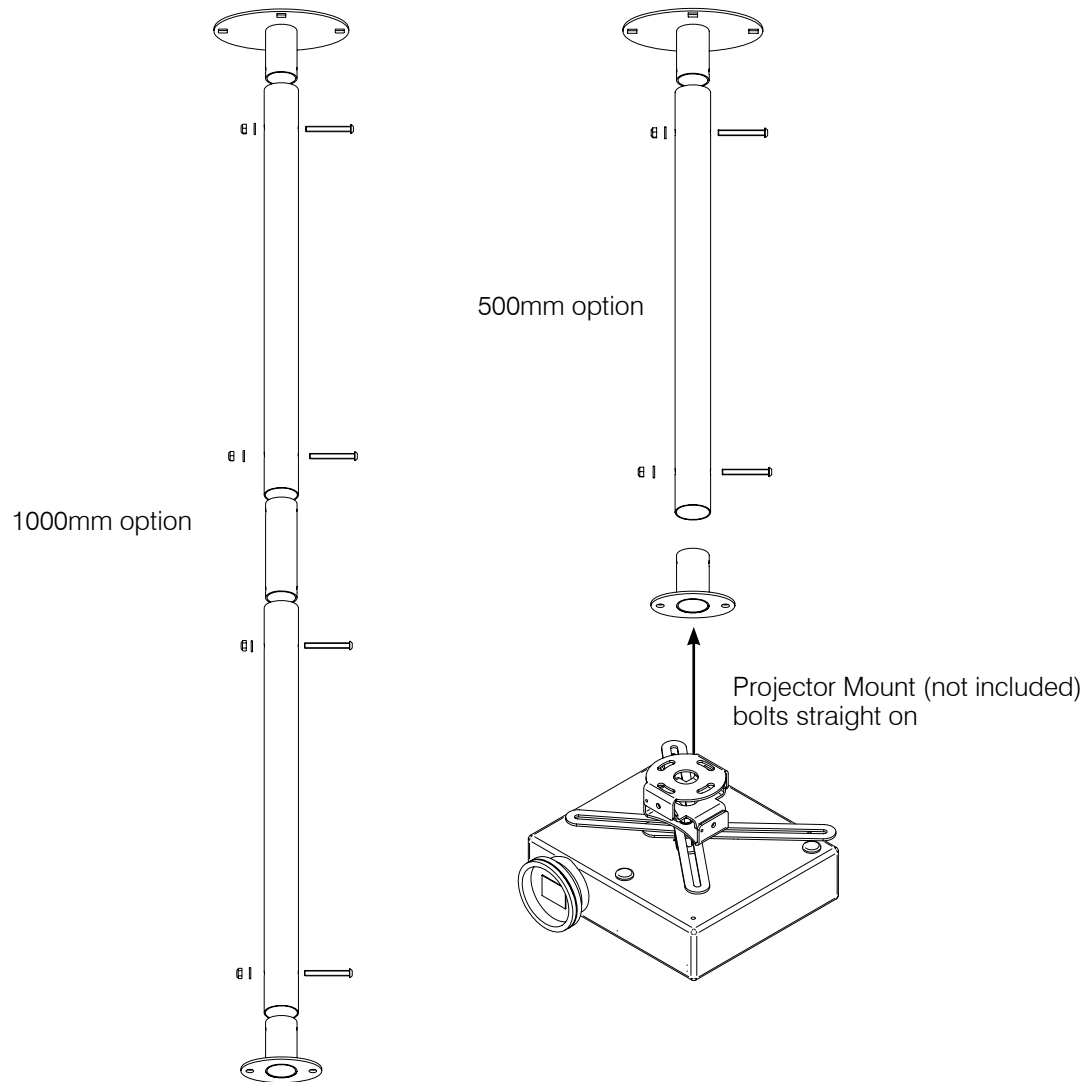


Specifications for GV Extension Poles



| Product Code | Colour | Max Projector Weight | Shipping Size w x h x d (mm) |
|--------------|--------|----------------------|------------------------------|
| GVMBE | Black | 12 kg | 510 x 125 x 75 |
| GVMWE | White | 12 kg | 510 x 125 x 75 |

Features

- Extension poles for GV Projector Mounts - 500 & 1000mm are included
- Can be adjusted to any length - by cutting and re-drilling pole

NOTE: GV Projector Mount Sold Separately - GVMBC or GVMWC

